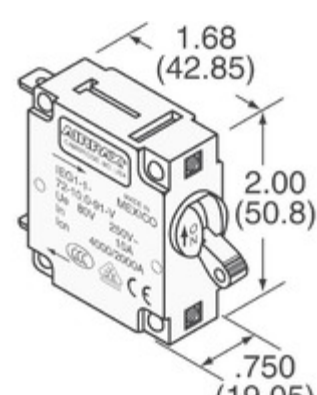


## IEG1-31322-30



Images are for reference only.  
See Product Specifications for product details.  
**Buy IEG1-31322-30 with confidence from Component-World.HK, 1 Year Warranty**



**Part Number:** [IEG1-31322-30](#)  
**Manufacturer:** [Sensata Technologies, Airpax](#)  
**Description:** CIR BRKR MAG-HYDR LEVER  
**Data sheet:** [IEG,IUG,IUG,IEG,CEG,LEG Series Datasheet](#)

**RoHS Status:** Lead free / RoHS Compliant  
**Ship From:** Hong Kong  
**Shipment Way:** DHL/Fedex/TNT/UPS/EMS

[Request For Quotation](#)

### PRODUCT PARAMETER

<b>Part Number</b>	IEG1-31322-30	<b>Manufacturer</b>	<a href="#">Sensata Technologies, Airpax</a>
<b>Description</b>	CIR BRKR MAG-HYDR LEVER	<b>Lead Free Status / RoHS Status</b>	Lead free / RoHS Compliant
<b>Quantity Available</b>	3622 pcs	<b>Data sheet</b>	<a href="#">IAG,IUG,IEG,CEG,LEG Series Datasheet</a>
<b>Category</b>	<a href="#">Circuit Protection</a>	<b>Series</b>	IEG
<b>Number of Poles</b>	1	<b>Mounting Type</b>	Panel Mount
<b>Moisture Sensitivity Level (MSL)</b>	1 (Unlimited)	<b>Manufacturer Standard Lead Time</b>	6 Weeks
<b>Lead Free Status / RoHS Status</b>	Lead free / RoHS Compliant	<b>Illumination Voltage (Nominal)</b>	-
<b>Illumination</b>	-	<b>Current Rating</b>	-
<b>Breaker Type</b>	Magnetic (Hydraulic Delay)	<b>Actuator Type</b>	Lever

Component-World.com is a Reliable Stocking Distributor of Electronic Components. We specialize in all Sensata Technologies, Airpax series electronic components. We have 3622 pieces of Sensata Technologies, Airpax IEG1-31322-30 in stock available now. Request a quote from electronics components distributor at Component-World.com, our sales team will contact you within 24 hours.

RFQ Email: [info@Components-World.com](mailto:info@Components-World.com)

### RELATED PRODUCTS

	<b>Part#:</b> <a href="#">IEG1-29628-1-V</a> <b>Description:</b> CIR BRKR MAG-HYDR LEVER	<b>Manufacturers:</b> <a href="#">Sensata Technologies, Airpax</a>	<a href="#">RFQ</a>
	<b>Part#:</b> <a href="#">IEG1-30021-1-V</a> <b>Description:</b> CIR BRKR MAG-HYDR LEVER	<b>Manufacturers:</b> <a href="#">Sensata Technologies, Airpax</a>	<a href="#">RFQ</a>
	<b>Part#:</b> <a href="#">IEG1-31724-8-V</a> <b>Description:</b> CIR BRKR MAG-HYDR LEVER	<b>Manufacturers:</b> <a href="#">Sensata Technologies, Airpax</a>	<a href="#">RFQ</a>
	<b>Part#:</b> <a href="#">IEG1-31724-4-V</a> <b>Description:</b> CIR BRKR MAG-HYDR LEVER	<b>Manufacturers:</b> <a href="#">Sensata Technologies, Airpax</a>	<a href="#">RFQ</a>
	<b>Part#:</b> <a href="#">IEG1-30651-1-V</a> <b>Description:</b> CIR BRKR MAG-HYDR LEVER	<b>Manufacturers:</b> <a href="#">Sensata Technologies, Airpax</a>	<a href="#">RFQ</a>
	<b>Part#:</b> <a href="#">IEG1-30240-15-V</a> <b>Description:</b> CIR BRKR MAG-HYDR LEVER	<b>Manufacturers:</b> <a href="#">Sensata Technologies, Airpax</a>	<a href="#">RFQ</a>
	<b>Part#:</b> <a href="#">IEG1-31322-15</a> <b>Description:</b> CIR BRKR MAG-HYDR LEVER	<b>Manufacturers:</b> <a href="#">Sensata Technologies, Airpax</a>	<a href="#">RFQ</a>
	<b>Part#:</b> <a href="#">IEG1-32489-5-V</a> <b>Description:</b> CIR BRKR MAG-HYDR LEVER	<b>Manufacturers:</b> <a href="#">Sensata Technologies, Airpax</a>	<a href="#">RFQ</a>
	<b>Part#:</b> <a href="#">IEG1-31724-5-V</a> <b>Description:</b> CIR BRKR MAG-HYDR LEVER	<b>Manufacturers:</b> <a href="#">Sensata Technologies, Airpax</a>	<a href="#">RFQ</a>
	<b>Part#:</b> <a href="#">IEG1-31716-1-V</a> <b>Description:</b> CIR BRKR MAG-HYDR LEVER	<b>Manufacturers:</b> <a href="#">Sensata Technologies, Airpax</a>	<a href="#">RFQ</a>
	<b>Part#:</b> <a href="#">IEG1-32752-1-V</a> <b>Description:</b> CIR BRKR MAG-HYDR LEVER	<b>Manufacturers:</b> <a href="#">Sensata Technologies, Airpax</a>	<a href="#">RFQ</a>
	<b>Part#:</b> <a href="#">IEG1-30624-1-V</a> <b>Description:</b> CIR BRKR MAG-HYDR LEVER	<b>Manufacturers:</b> <a href="#">Sensata Technologies, Airpax</a>	<a href="#">RFQ</a>
	<b>Part#:</b> <a href="#">IEG1-31322-5</a> <b>Description:</b> CIR BRKR MAG-HYDR LEVER	<b>Manufacturers:</b> <a href="#">Sensata Technologies, Airpax</a>	<a href="#">RFQ</a>
	<b>Part#:</b> <a href="#">IEG1-30624-2-V</a> <b>Description:</b> CIR BRKR MAG-HYDR LEVER	<b>Manufacturers:</b> <a href="#">Sensata Technologies, Airpax</a>	<a href="#">RFQ</a>
	<b>Part#:</b> <a href="#">IEG1-31724-6-V</a> <b>Description:</b> CIR BRKR MAG-HYDR LEVER	<b>Manufacturers:</b> <a href="#">Sensata Technologies, Airpax</a>	<a href="#">RFQ</a>
	<b>Part#:</b> <a href="#">IEG1-31717-1-V</a> <b>Description:</b> CIR BRKR MAG-HYDR LEVER	<b>Manufacturers:</b> <a href="#">Sensata Technologies, Airpax</a>	<a href="#">RFQ</a>
	<b>Part#:</b> <a href="#">IEG1-30624-4-V</a> <b>Description:</b> CIR BRKR MAG-HYDR LEVER	<b>Manufacturers:</b> <a href="#">Sensata Technologies, Airpax</a>	<a href="#">RFQ</a>
	<b>Part#:</b> <a href="#">IEG1-30624-3-V</a> <b>Description:</b> CIR BRKR MAG-HYDR LEVER	<b>Manufacturers:</b> <a href="#">Sensata Technologies, Airpax</a>	<a href="#">RFQ</a>
	<b>Part#:</b> <a href="#">IEG1-31724-7-V</a> <b>Description:</b> CIR BRKR MAG-HYDR LEVER	<b>Manufacturers:</b> <a href="#">Sensata Technologies, Airpax</a>	<a href="#">RFQ</a>
	<b>Part#:</b> <a href="#">IEG1-29230-3-V</a> <b>Description:</b> CIR BRKR MAG-HYDR LEVER	<b>Manufacturers:</b> <a href="#">Sensata Technologies, Airpax</a>	<a href="#">RFQ</a>

### Related keywords for IEG1-31322-30

Sensata Technologies, Airpax IEG1-31322-30	IEG1-31322-30 distributor	IEG1-31322-30 supplier	IEG1-31322-30 price
IEG1-31322-30 download datasheet	IEG1-31322-30 datasheet	IEG1-31322-30 stock	buy IEG1-31322-30
Sensata Technologies, Airpax IEG1-31322-30	Sensata Technologies/Airpax IEG1-31322-30		